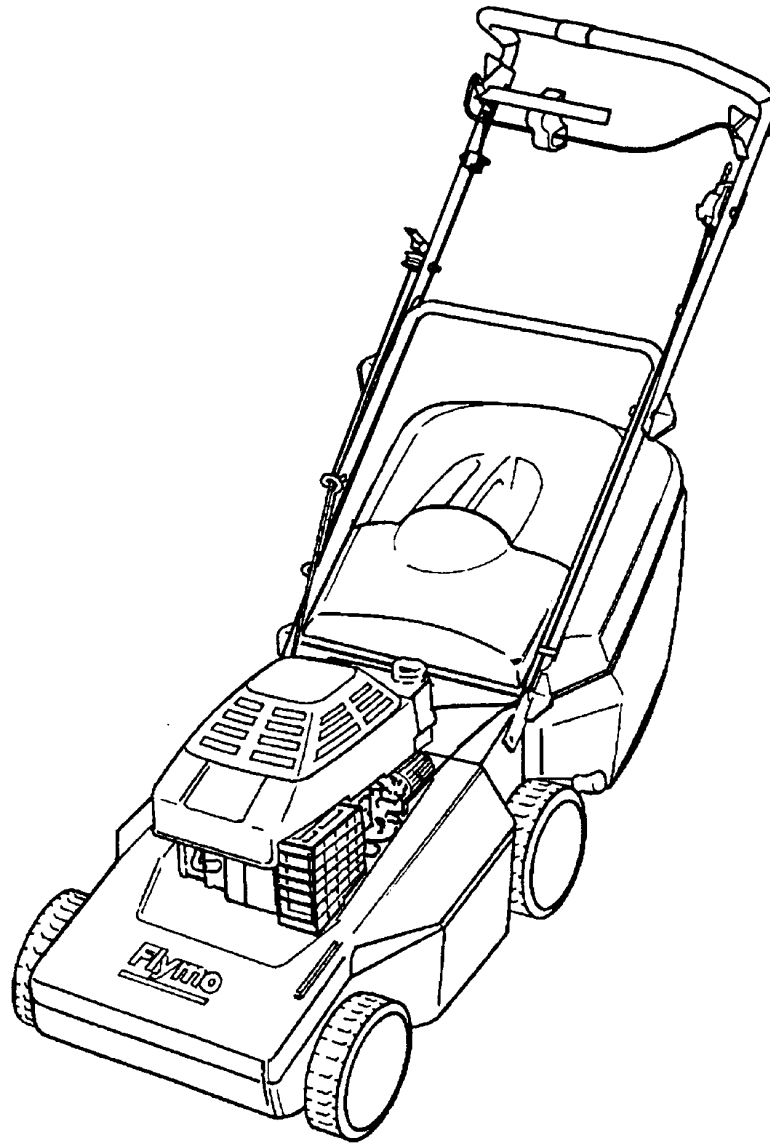


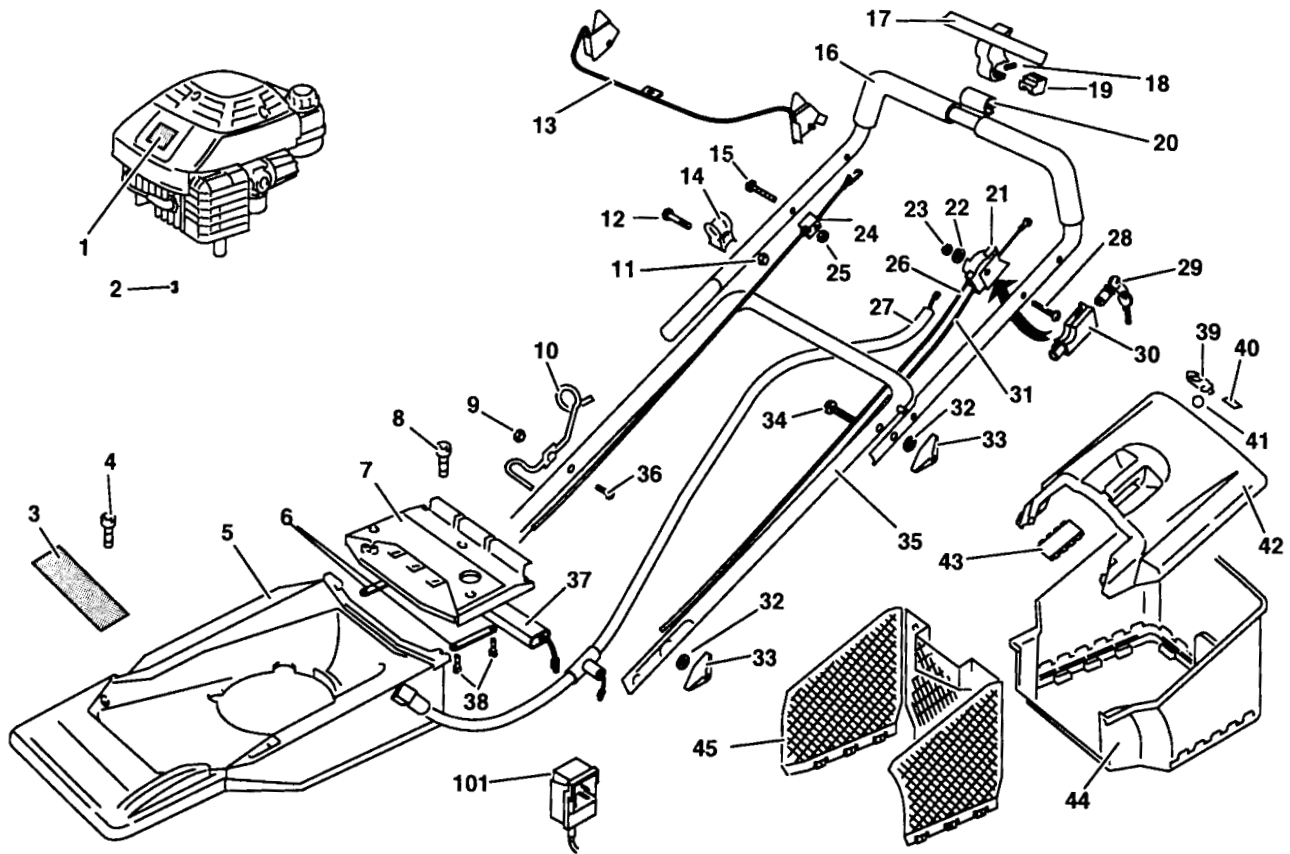
## VT420XLPE 9644323



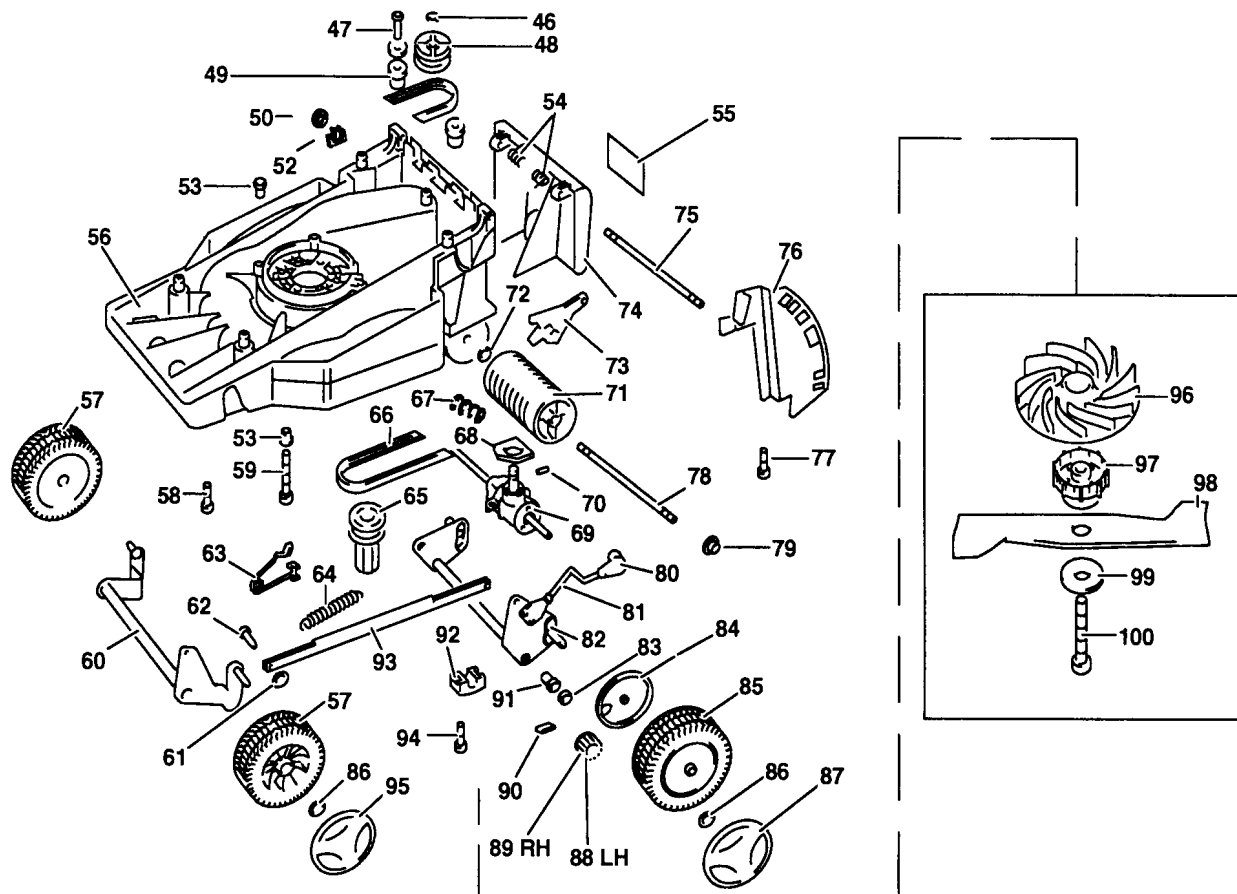
WHERE NO APPLICATION DETAILS ARE SHOWN, PART APPLIES TO ALL COUNTRIES  
A Austria; AUS Australia; B Belgium; CND Canada; CH Switzerland; D Germany; DK Denmark; E Spain;  
EI Eire; F France; GB Great Britain; I Italy; N Norway; NL Netherlands; NZ New Zealand; O/S Overseas;  
P Portugal; S Sweden; SF Finland; USA America; ZA South Africa

FLYMO (A DIVISION OF ELECTROLUX OUTDOOR PRODUCTS LTD),  
PRESTON ROAD, AYCLIFFE IND. EST., COUNTY DURHAM, DL5 6UP, ENGLAND.  
TEL: 01325 300303; FAX: 01325 310339; TELEX: 58111.

MODEL	VT420XLPE	PRODUCT APPLICATION	
		9644323-51	GB
PRODUCT NO.	9644323		



Key	Part Number	Description	Qty	Key	Part Number	Description	Qty
01	5149250-00/2	LABEL-ENGINE COWL	1	23	5147180-00/3	NUT	1
02	5140053-00/9	KEY	1	24	5138410-00/5	CLUTCH CABLE	1
03	5149283-00/3	LABEL-FLYMO	1	25	5148637-00/1	NUT	1
04	5146824-00/7	SCREW	3	26	5149496-00/1	BRAKE CABLE	1
05	5106609-01/8	BASE COWLING	1	27	5149497-00/9	LOOM	1
06	5149435-00/9	STRAP-BATTERY	2	28	5149453-00/2	SCREW	1
07	5106603-05/2	ACCESS PANEL	1	29	5149494-00/6	KEY SWITCH & KEY	1
08	5146824-00/7	SCREW	2	30	5149493-00/8	SWITCH HOUSING	1
09	5148637-00/1	NUT	2	31	5149495-00/3	THROTTLE CABLE	1
10	5138296-00/8	LOWER GUIDE - PULL CORD	1	32	5149275-01/7	SPACER	4
11	5149373-00/2	NUT-WING	1	33	68570-07/6	WING KNOB	4
12	5149372-00/4	BOLT	1	34	5148510-00/0	BOLT NIBBED	2
13	5118035-01/2	LEVER-BRAKE/POWER DRIVE	1	35	5127411-00/6	HANDLE LOWER	1
14	5138297-00/6	UPPER GUIDE - PULL CORD	1	36	5148636-02/9	BOLT-PAN HEAD	1
15	5148636-01/1	BOLT,PAN HEAD	1	37	5138411-00/3	BATTERY	1
16	5127549-01/1	UPPER HANDLE ASSY	1	38	5146672-00/0	SCREW	4
17	5106706-00/4	TOGGLE-P/D BRAKE LEVER	1	39	5127377-00/9	INDICATOR COVER	1
18	5138392-00/5	SPRING-TOGGLE	1	40	5149233-00/8	LABEL,GRASSBOX	1
19	5118037-00/0	RETAINER-TOGGLE	1	41	5149277-00/5	BALL,YELLOW	1
20	5138268-00/7	CLIP	1	42	5138310-00/7	GRASSBOX TOP SUB ASSY	1
21	5149492-00/0	THROTTLE CONTROL HOUSING	1	43	5127397-00/7	COVER PLATE	1
22	5148876-00/5	WASHER	1	44	5106589-00/4	GRASSBOX LOWER	1
				45	5106591-00/0	SCREEN	1



Key	Part Number	Description	Qty	Key	Part Number	Description	Qty
46	5148526-00/6	CIRCLIP	1	75	5138237-00/2	TIE BAR	1
47	5148528-00/2	PLASTIC RIVET	3	76	5126867-00/0	QUADRANT	1
48	5138423-00/8	PULLEY	1	77	5146736-00/3	SCREW	1
49	5148509-00/2	GUIDE BUSH	3	78	5137709-00/1	AXLE ROLLER	1
50	5148825-00/2	PUSH-ON-FIX	1	79	5137802-00/4	MOUNT AXLE	1
52	5137801-00/6	CLIP AXLE	1	80	5127382-00/9	HEIGHT ADJUSTER KNOB	1
53	5148551-00/4	BUSH INSULATOR	6	81	5138344-00/6	HEIGHT ADJUSTER LEVER	1
54	5137845-00/3	SPRING RETURN	2	82	5127431-02/0	REAR AXLE SUB ASSEMBLY	1
55	5146485-00/7	LABEL WARNING	1	83	5140281-01/4	WASHER	2
56	5106608-04/4	DECK	1	84	5126884-00/5	BACK PLATE	2
57	5127517-00/0	WHEEL	2	85	5127519-00/6	DRIVE WHEEL ASSY	2
58	5148552-01/0	SCREW	4	86	5149108-00/2	PUSH ON FIX	4
59	5149167-00/8	BOLT ENGINE SHANKED	3	87	5127378-00/7	HUB CAP	2
60	5127430-00/6	FRONT AXLE FABRICATION	1	88	5138050-00/9	DRIVE SPROCKET L/H	1
61	5148524-00/1	WASHER STARLOCK	2	89	5138050-01/7	DRIVE SPROCKET R/H	1
62	5148506-01/6	CLEVIS PIN	2	90	5148831-00/0	PAWL	2
63	5127391-00/0	INDICATOR	1	91	5148485-00/5	BUSH AXLE	2
64	5137731-00/5	SPRING COUNTERBALANCE	1	92	5137730-00/7	CLAMP BRIDGE	2
65	5127568-00/3	DRIVE HUB	1	93	5148832-00/8	LINK	1
66	5126882-01/7	DRIVE BELT	1	94	5148519-01/9	SCREW	4
67	5138305-00/7	SPRING-CLUTCH	1	95	5127530-00/3	HUB CAP	2
68	5137798-00/4	FOAM SEAL	1	96	5117785-00/5	IMPELLER	1
69	5127461-00/1	GEARBOX ASSY	1	97	5127032-00/0	BLADE SPACER	1
70	5148478-00/0	PIN	1	98	5117183-00/3	BLADE 42CM	1
71	5126880-00/3	ROLLER	2	99	5148598-00/5	DISC SPRING	1
72	5140281-01/4	WASHER	1	100	5146677-09/0	BLADE BOLT	1
73	5138248-00/9	INDEX PLATE	2	101	5148943-00/3	BATTERY CHARGER-240V	1
74	5106590-00/2	SAFETY FLAP	1				